



# LOCKERS

Assembly Manual

This assembly manual is to be used exclusively as a reference tool in the assembly of Rackzone Lockers.

The finishes shown in this manual may vary in relation to those supplied.





# LOCKERS COMPONENTS



1. TRIANGLE CLOSURE ROOF
2. SLOPED ROOF
3. REAR LOCKER
4. SIDE LOCKER
5. LOCKER DOOR
6. LOCKER SHELF

7. LOCKER STAND
8. FRAME
9. FORK
10. BOLT
11. SAFTEY PIN

# ASSEMBLY PROCESS

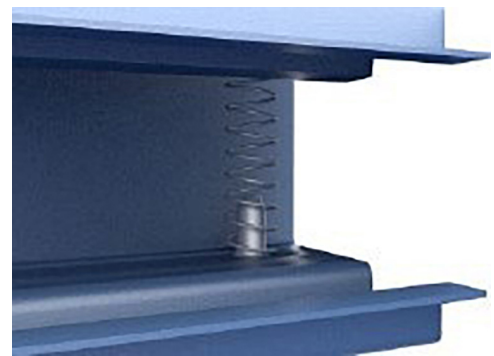
## Important: Preparation

The use of tools and materials such as gloves and a rubber mallet IS RECOMMENDED TO FULLY FIT THE COMPONENTS AND WORK SAFELY.

BUILD IN AN AREA WITH ENOUGH SPACE

Lockers are assembled easily without screws.

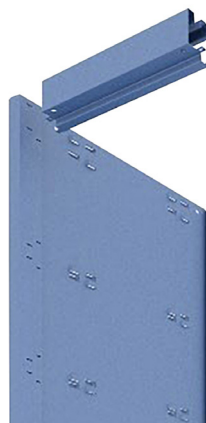
- 1 Insert the bolt with the spring in the upper frame.



top bolt with spring

Place the upper bolt on the side to act as a hinge for the door.

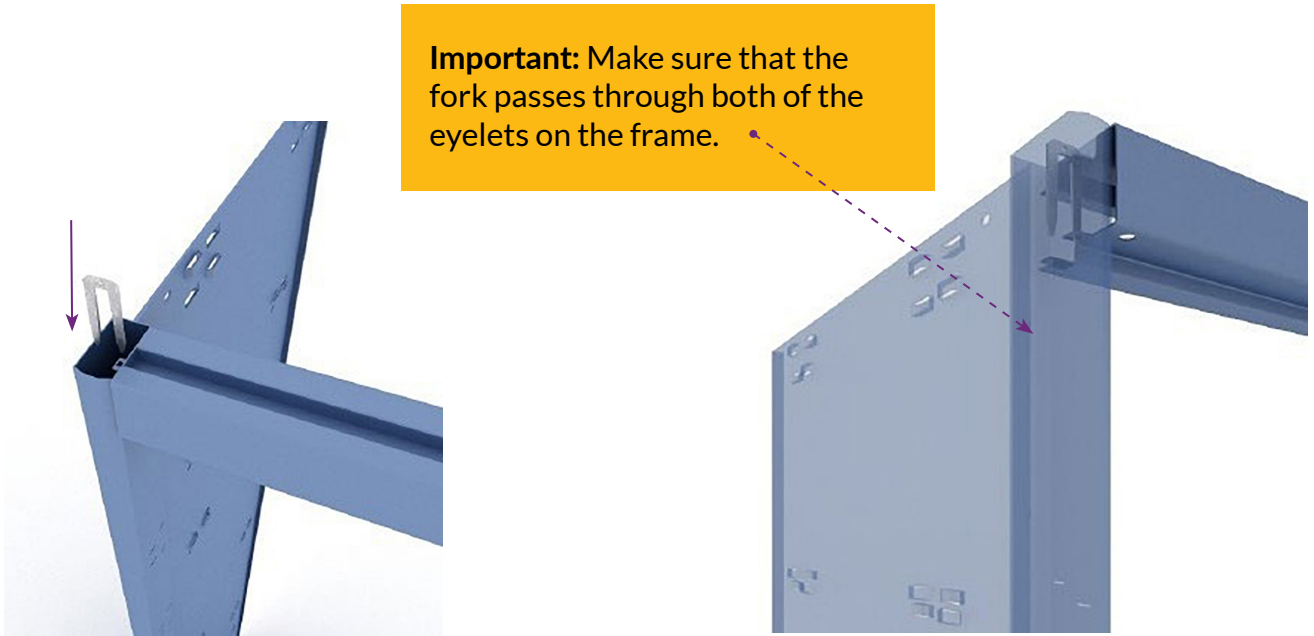
- 2 The upper and lower frames are mounted on one side of the locker.



**Important:** Align the frame to match the pins on the frame with the slots on the side panel.

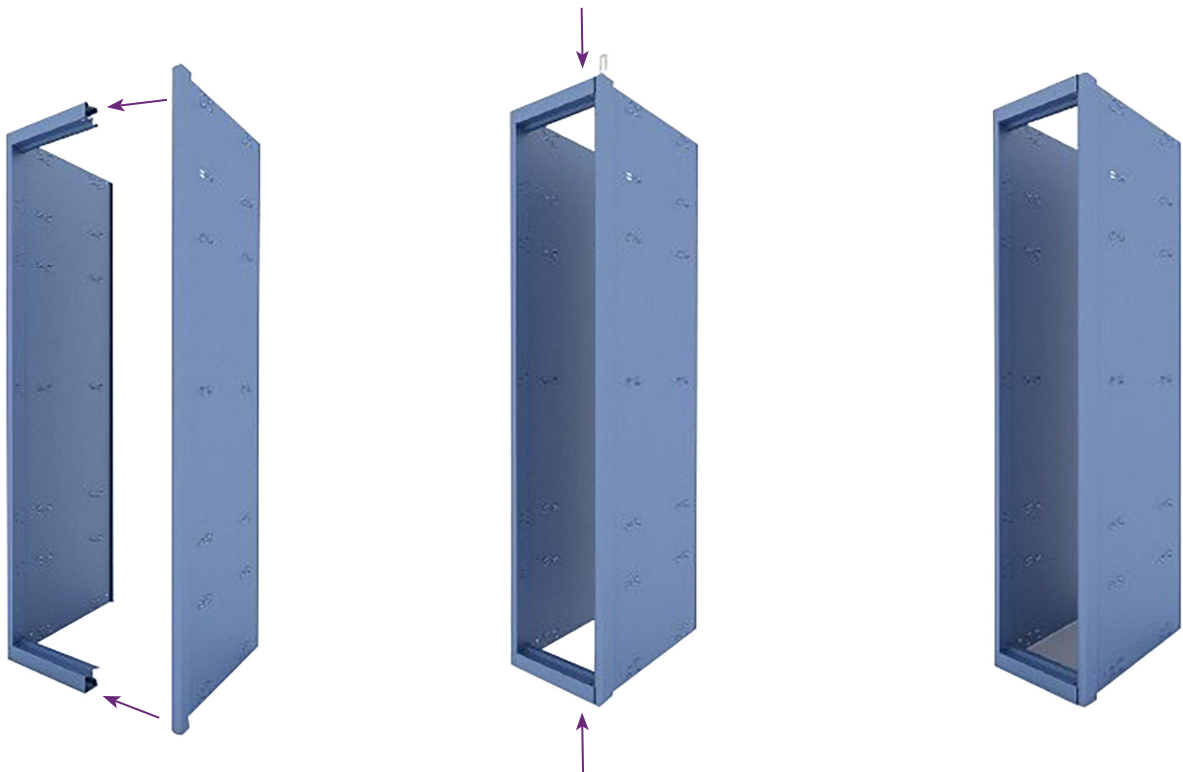
# ASSEMBLY PROCESS

- 3 The side panel, upper and lower frames are joined by inserting the forks.  
(It is recommended to use a rubber hammer (with caution) to avoid damaging the components).



- 4 The side is fitted with the upper and lower frames, and the forks are inserted to secure the frames.

Fit the two sides together and tap with the rubber hammer, to ensure that the pieces have a strong and secure fit.





# ASSEMBLY PROCESS

- 5 The back of the locker is fitted by sliding it downwards into the frame. The back panel must be slotted between the interior side panels.

To ensure the position of the back panel, we must include two staple pins.

There are two options:

- 1) Position them both at the top.
- 2) Position one staple at one end of the upper frame and the other at the opposite end of the lower frame.



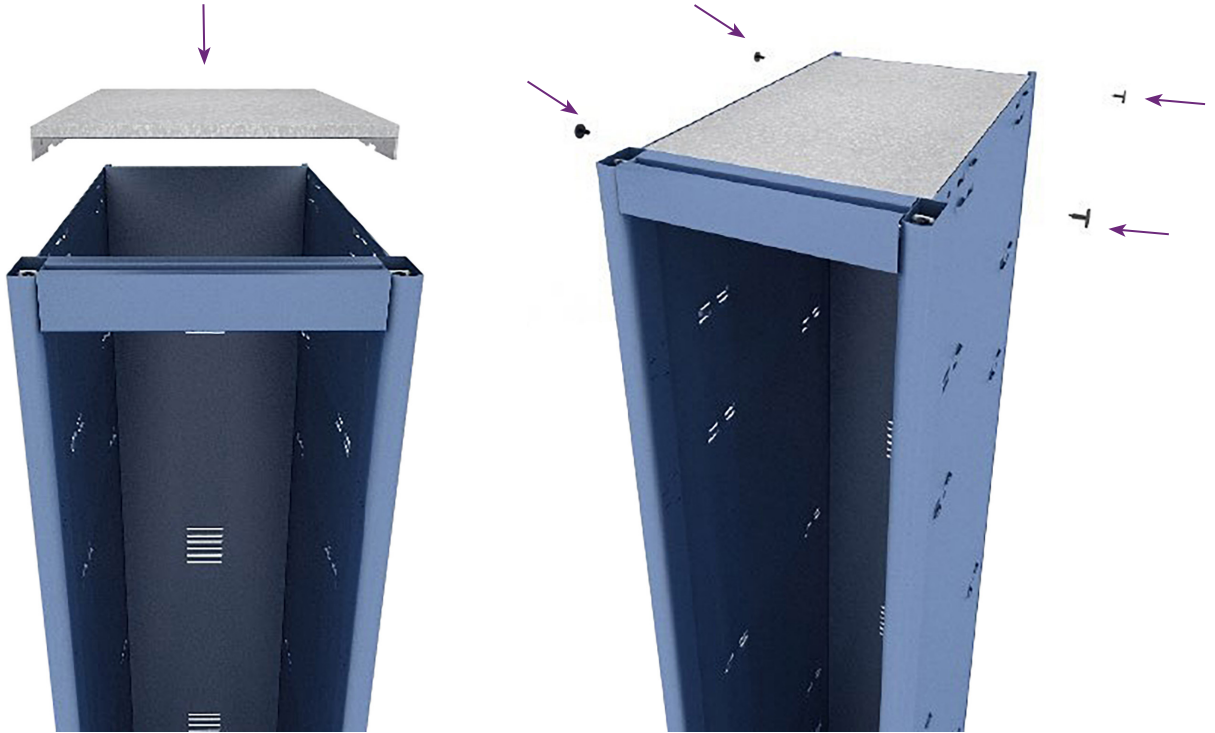
- 6 Below is the bottom shelf panel

The shelf must be inserted rotated and carried to the end of the locker, so that the tabs fit correctly on the inner sides.



# ASSEMBLY PROCESS

- 7 After the bolts have been inserted, place the upper shelf on top and secure both the top and bottom shelf panels with safety clips.



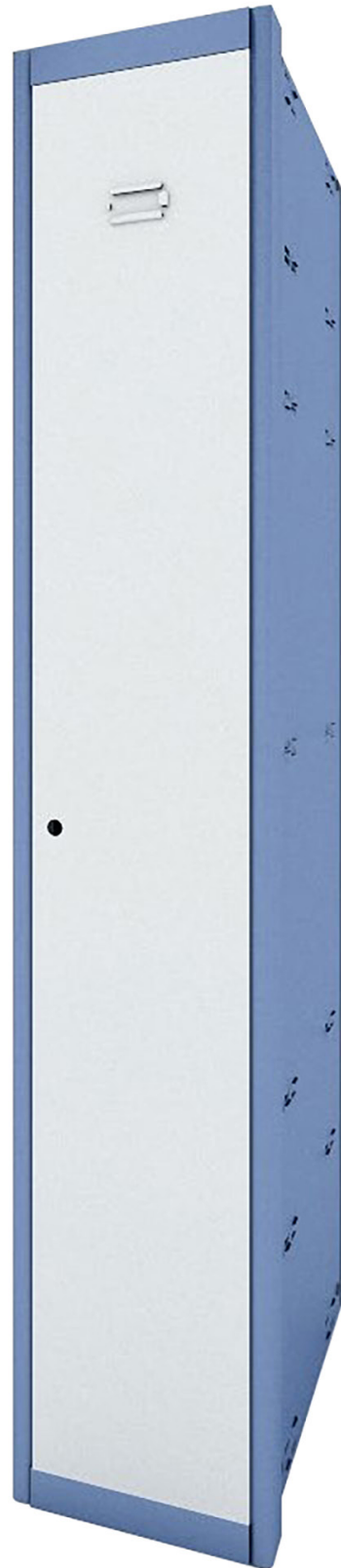
- 8 The bolt is inserted in the lower frame.





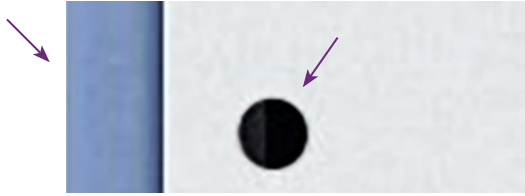
# ASSEMBLY PROCESS

- 9 To install the door, first insert the panel on top of the lower bolt and then push the upper bolt up into the hole in the corner of the door panel.

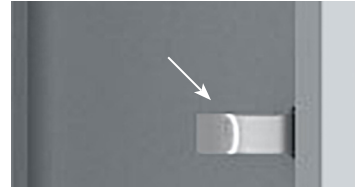


# ASSEMBLY PROCESS

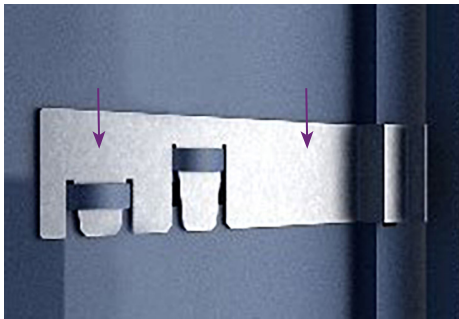
- 10** Insert the lock into the hole in the door, in the direction of the side closest to the hole.



To fix the lock into position, insert the fork from the back.



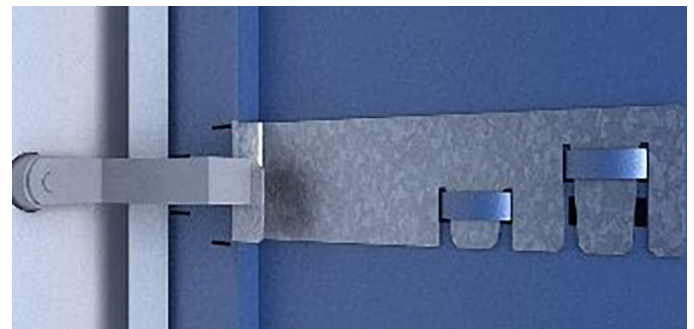
- 11** After the assembly of the locker is finished, insert the left and right stops, to give the locker improved structure and weight capacity.



The left stop is placed in the hook slots located on the inside left of the locker at the height of the lock. This piece performs the locking function when the door is closed, making the locker more secure.

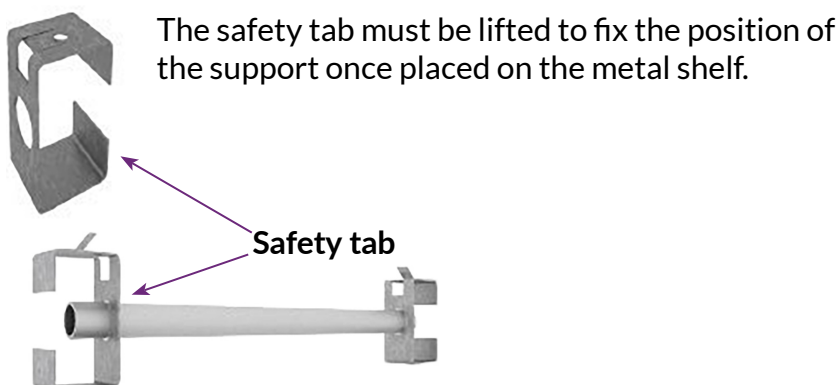


The right stop is placed in the hook slots located on the right inside of the locker at the same height as the lock. This piece performs a stop function when the door is closed, giving the door greater resistance and rigidity when pushed.



## HANGING BAR

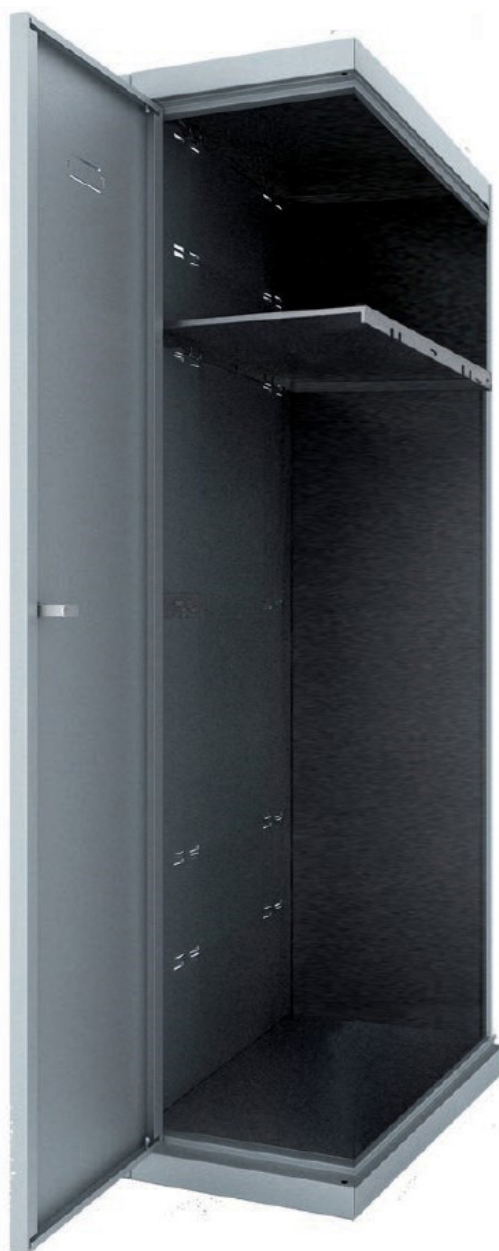
Insert the bar into the supports, then hang the supports in the housing slot on the shelves, finally lift the safety tab of the supports.



The safety tab must be lifted to fix the position of the support once placed on the metal shelf.



# LOCKER EXTENSION



ASSEMBLY MANUAL

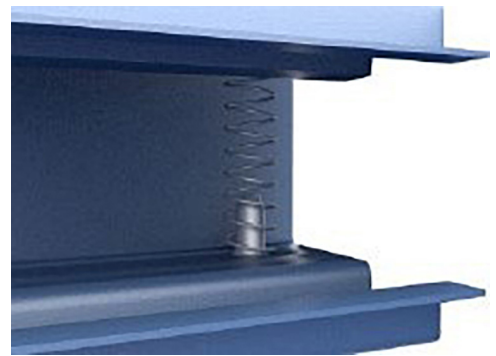
# ASSEMBLY PROCESS

## Important: Process

When the process of assembling lockers involves more than one module, it should be carried out with the lockers lying down, in a horizontal position on the ground.

(For visualization in this guide, it is shown vertically.)

- 1 Insert the bolt with the spring in the upper frame.



top bolt with spring

Place the upper bolt on the side to act as a hinge for the door.

- 2 The upper and lower frames are mounted on one side of the locker.



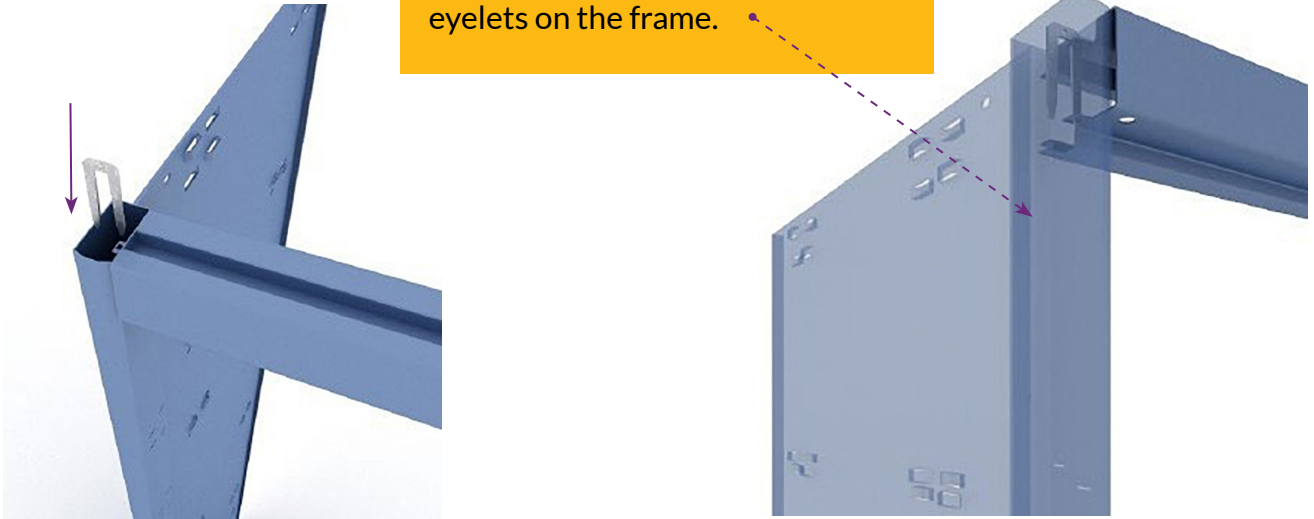
**Important:** Align the frame to match the pins on the frame with the slots on the side.

# ASSEMBLY PROCESS

3 The side panel, upper and lower frames are joined by inserting the forks.

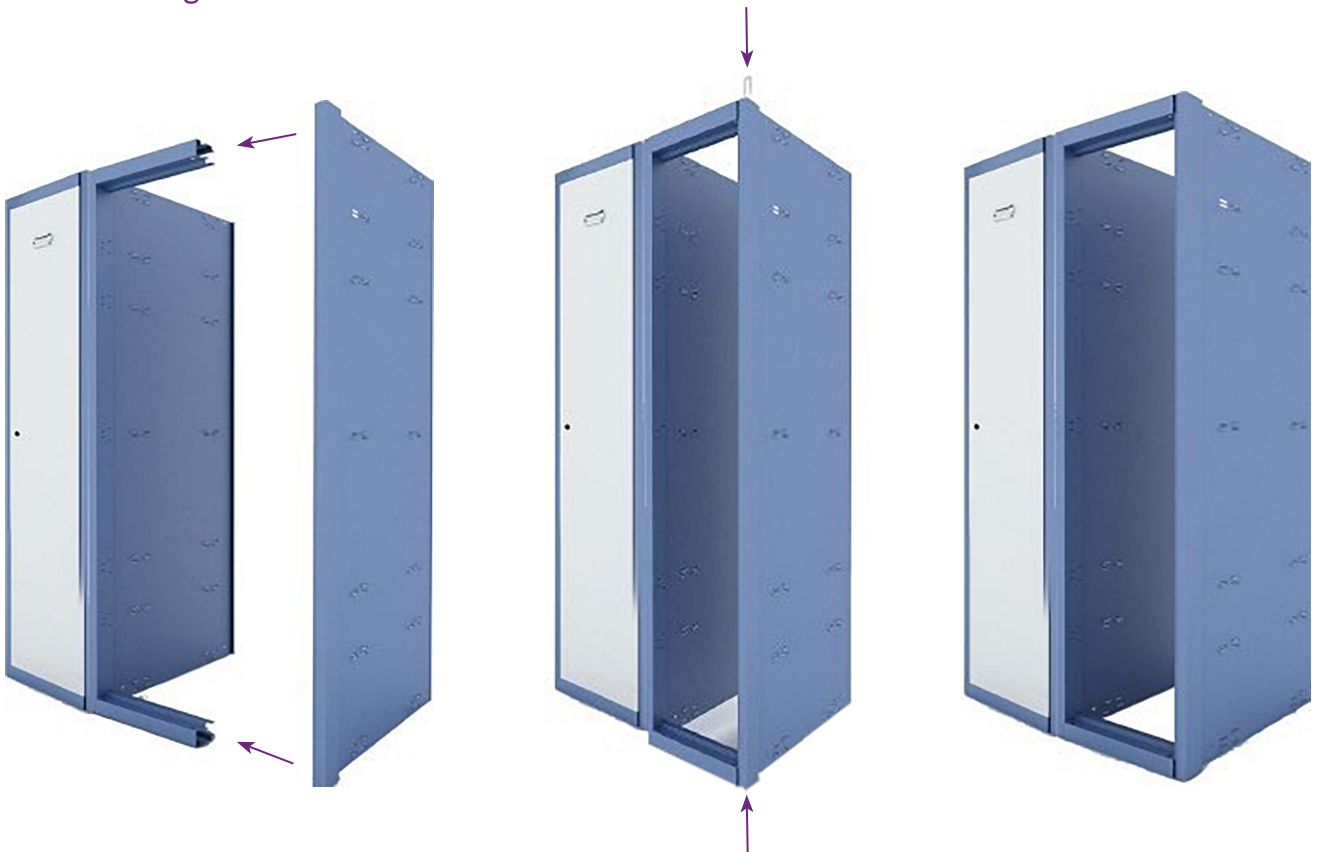
It is recommended to use a rubber hammer (with caution) to avoid damaging the components.

**Important:** Make sure that the fork passes through both of the eyelets on the frame.



4 The outer side is fitted to the upper and lower frames, and the fixing forks are inserted.

Insert the panels together and tap with the rubber hammer, to ensure that the pieces have a secure and tight fit.





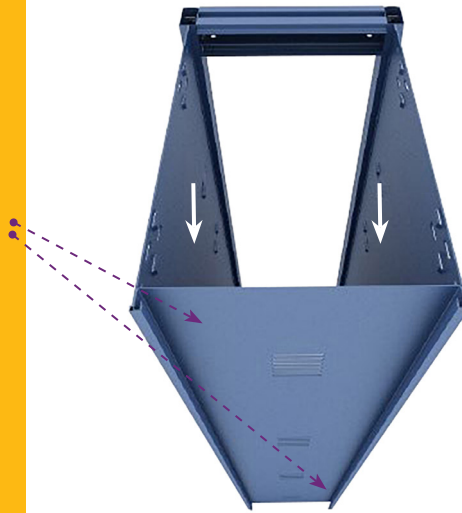
# ASSEMBLY PROCESS

- 5** The back of the locker is fitted by sliding it downwards into the frame. The back panel must be slotted between the interior side panels.

To ensure the position of the rear, we must include two locker staples.

There are two options:

- 1) Position them both at the top.
- 2) Position one staple at one side of the upper part and the other at the opposite side of the lower part.



- 6** Below is the bottom shelf.

The shelf must be inserted rotated and carried to the end of the locker, so that the tabs fit correctly on the inner sides.





# ASSEMBLY PROCESS

- 7 After the bolts have been inserted, place the upper shelf on top and secure both the top and bottom shelf panels with safety clips.



Before inserting the lower bolt, the door and the lock we have to lift the set of lockers.

Taking special care not to drag them so that they do not wear out when rubbing against the surface, lift the assembly and position it vertically.

# ASSEMBLY PROCESS

- 8 The bolt is inserted in the lower frame.

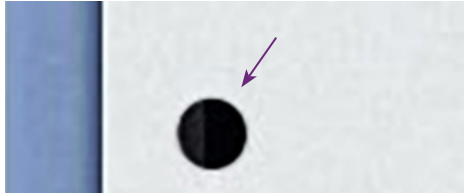


- 9 To install the door, first insert the lower bolt and then push the upper bolt to be able to insert it into the hole in the door.

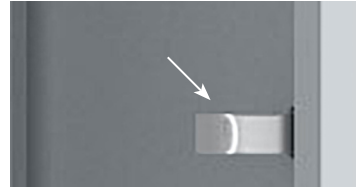


# ASSEMBLY PROCESS

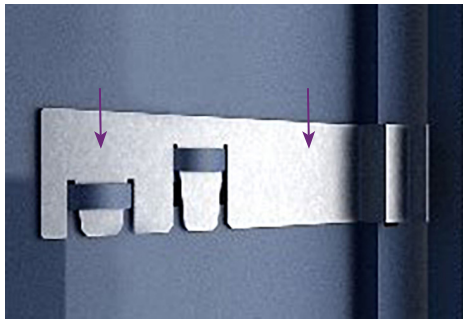
- 10 The lock is inserted into the hole in the door, in the direction of the side closest to the hole.



To fix the lock in position, insert the fork from the back.



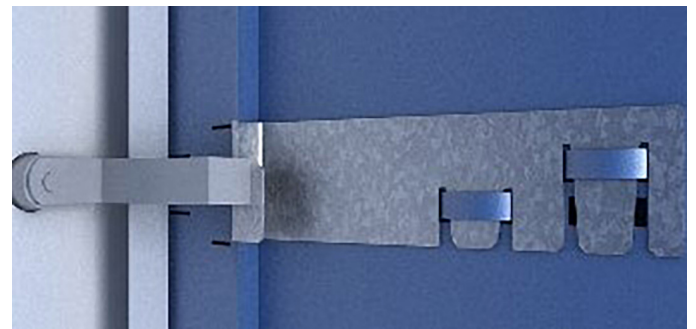
- 11 After the assembly of the locker is finished, insert the left and right stops, to give the locker improved structure and weight capacity.



The left stopper is placed in the hook slots located on the inside left of the locker at the height of the lock. This piece performs the locking function when the door is closed, making the locker more secure.

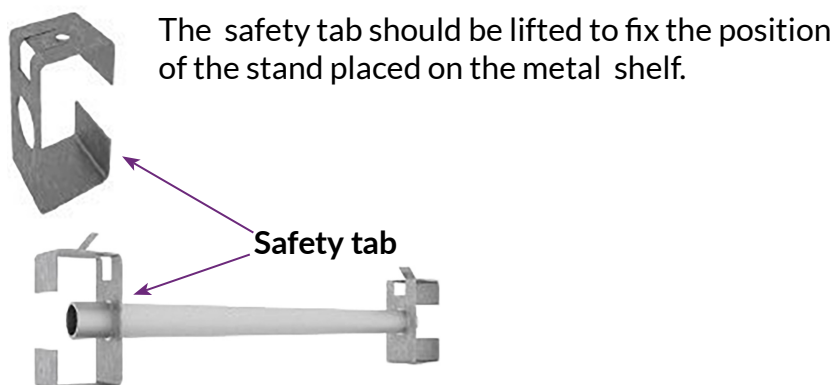


The right stop is placed in the hook slots located on the right inside of the locker at the height of the lock. This piece performs a stop function when the door is closed, giving the door greater resistance and rigidity when pushed.



## HANGER BAR

The bar is inserted into the supports, then the supports are hung in the housings provided for this on the shelves, and finally the safety tab of the supports is lifted.



# TWO DOOR LOCKER



ASSEMBLY MANUAL

# ASSEMBLY PROCESS

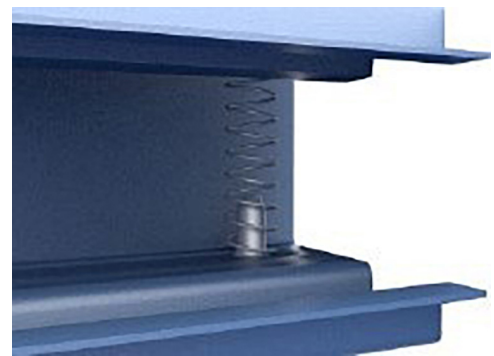
## Important: Preparation

IT IS RECOMMENDED TO USE TOOLS AND WORKING MATERIALS SUCH AS GLOVES AND A RUBBER HAMMER TO COMPLETELY FIT THE ELEMENTS AND WORK SAFELY.

TRY TO MAKE THE MOUNTING IN AN AREA WITH ENOUGH SPACE.

Lockers are assembled easily without screws.

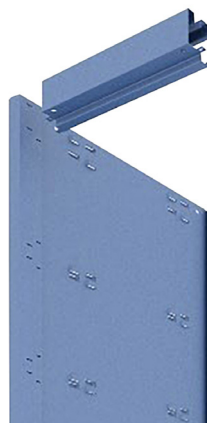
- 1 Introduce the bolt with the spring in the upper frame.



top bolt with spring

We have to place the upper bolt on the side that we want to act as a hinge for the locker door.

- 2 The upper and lower frames are mounted on one side of the locker.

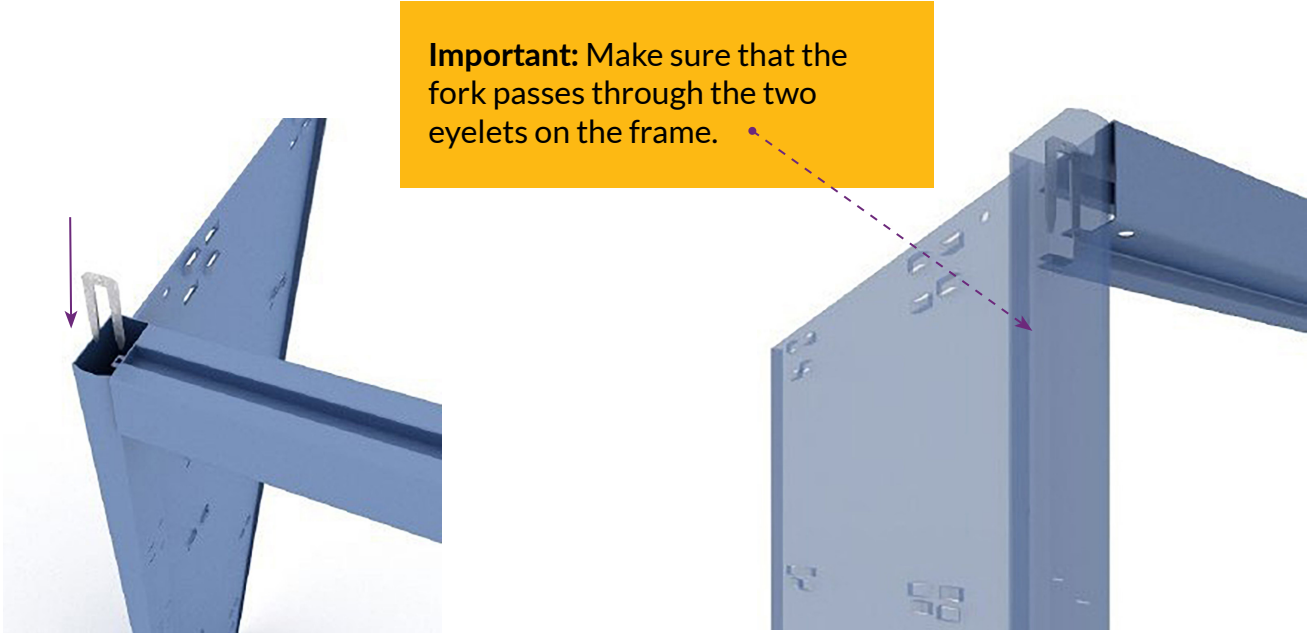


**Important:** Slightly compress the frame to match the pins on the frame with the slots on the side.

# ASSEMBLY PROCESS

**3** Insert the forks to join the side panel, upper and lower frames together.

It is recommended to use the rubber hammer (with caution to maintain the integrity of the components)



**4** The middle frame is inserted halfway up the locker.

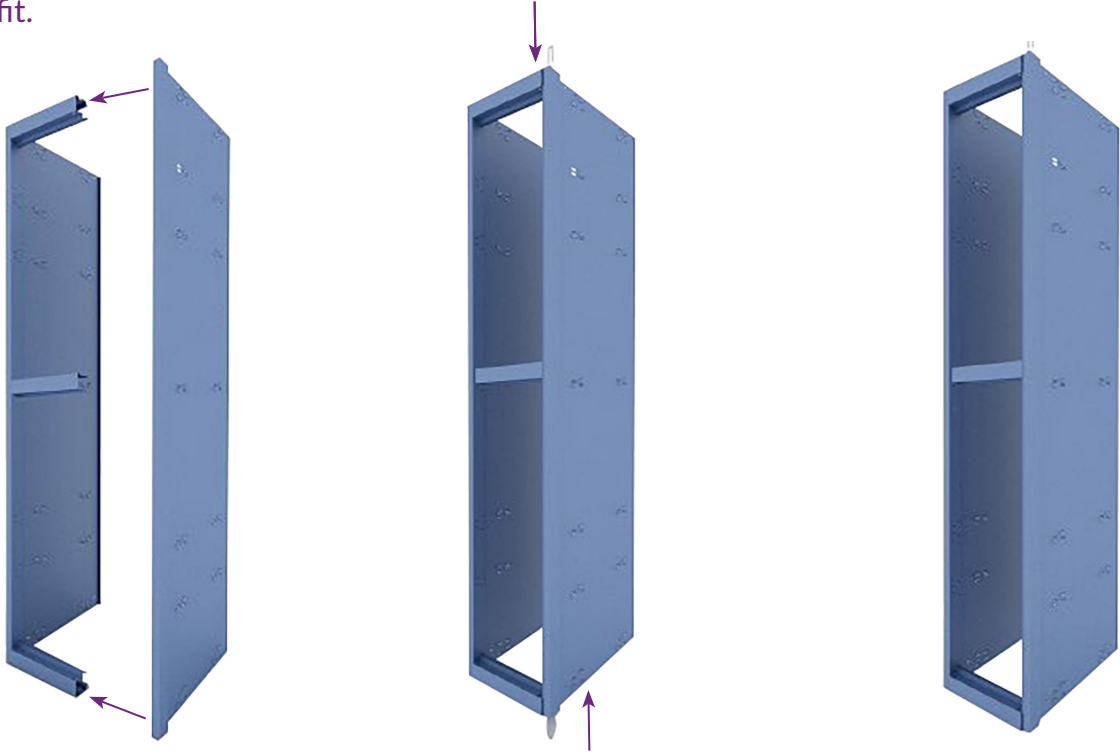


**Important:** Slightly compress the frame to match the pins on the frame with the slots on the side.



# ASSEMBLY PROCESS

- 5** The exterior side is fitted with the upper and lower frames, and the fixing forks are inserted. Fit the two sides together and tap with the rubber hammer, to ensure that the pieces have a strong fit.

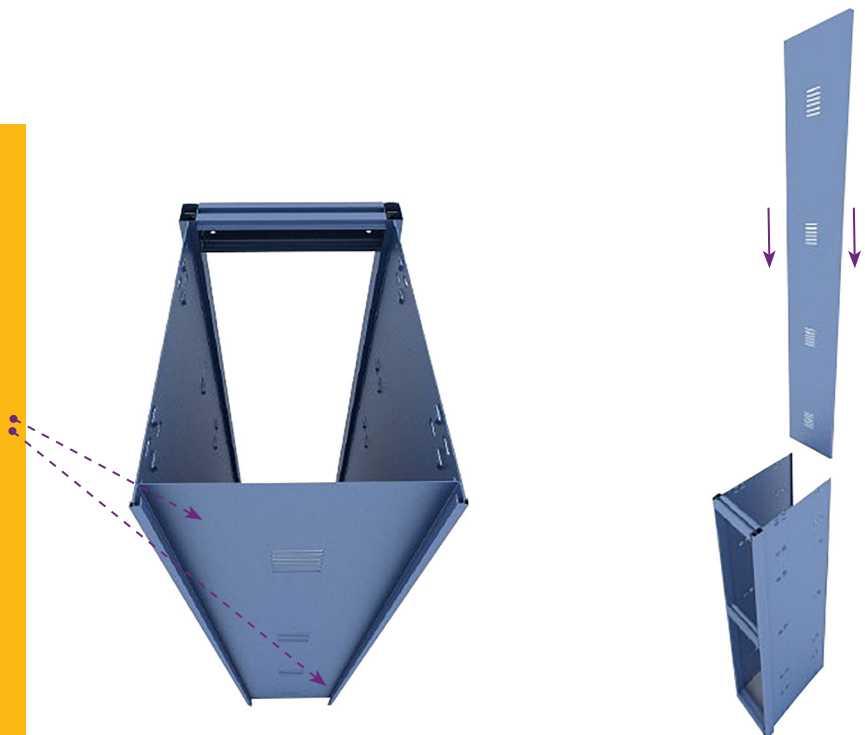


- 6** The back of the locker is fitted by sliding it downwards into the frame. The back panel must be slotted between the interior side panels

To ensure the position of the rear, we must include two locker staples.

There are two options:

- 1) Position them both at the top.
- 2) Position one staple at one side of the upper part and the other at the opposite end of the lower part.



# ASSEMBLY PROCESS

- 7 The bottom shelf is then attached.



The shelf must be inserted rotated and carried to the end of the locker under that the tabs fit correctly on the inner sides.

- 8 Once the bolts have been inserted, the upper shelf will be placed and safety clips are inserted into the top and bottom shelves.

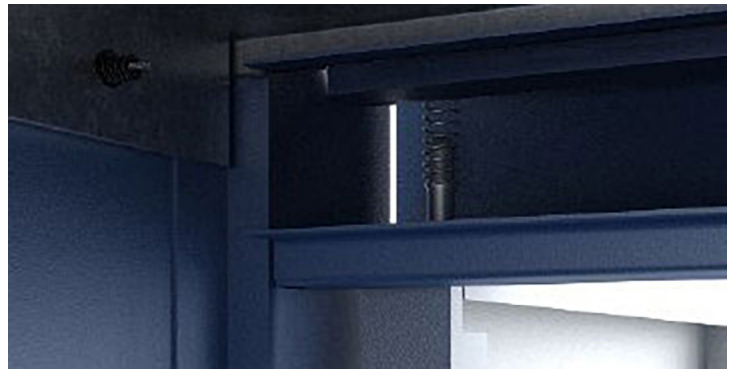


- 9 The bolt is inserted in the lower frame.



# ASSEMBLY PROCESS

- 10 To place the doors, you must first insert the lower door over the lower bolt and then push the upper bolt of the intermediate part to be able to insert it into the hole in the door.



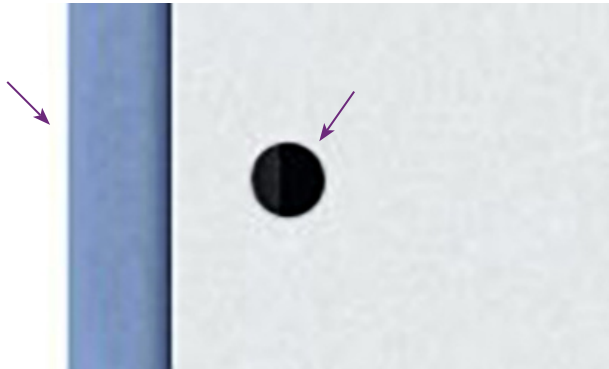
To place the upper door, we repeat the process, placing it on the intermediate bolt and pushing the upper one to insert it into the corresponding hole.



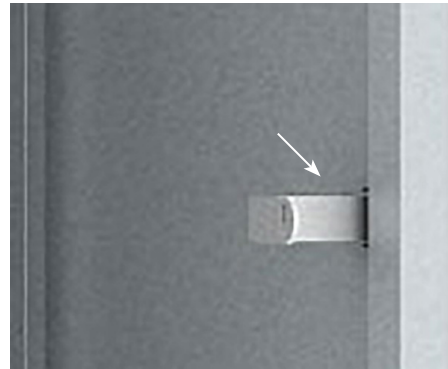
# ASSEMBLY PROCESS

## 11 Assembly of lock.

The lock is inserted into the hole of the door, with the body of the lock in the direction of the side closest to said hole.



To fix the lock in position, insert the fork from the back.

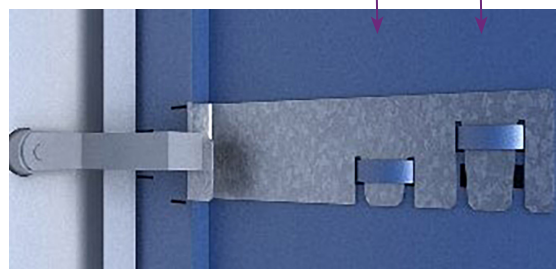


## 12 Even the assembly of the locker is finished, the left and right stops will be placed, which give the lockers greater resistance and security.



The left stop is placed in the embossing located on the inside left of the locker at the height of the lock. This piece performs the locking function when the door is closed, making the locker more secure

The right stop is placed in the recesses located on the right inside of the locker at the height of the lock. This piece performs a stop function when the door is closed, giving the door greater resistance and rigidity when pushed



# TWO-SEATER TICKET OFFICE EXTENSION



ASSEMBLY MANUAL

# ASSEMBLY PROCESS

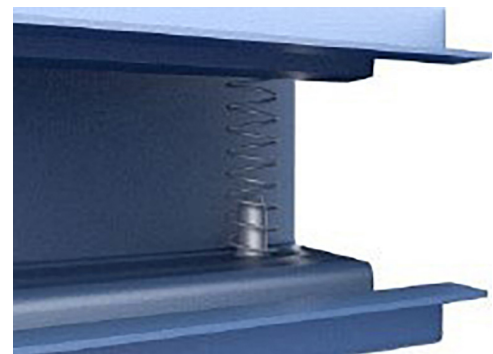
## Important: Process

When the process of assembling lockers involves more than one module, it will be carried out with the lockers lying down, in a horizontal position on the ground.

(To facilitate its visualization in this document, it is shown vertically.)

Lockers Are assembled quickly and easily without screws

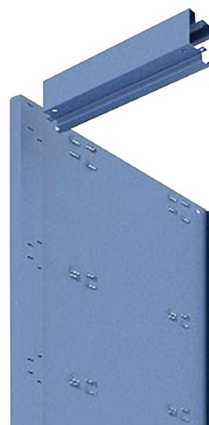
1 We introduce the bolt with spring in the upper.



top bolt with spring

We have to place the upper bolt on the side that we want to act as a hinge for the locker door.

2 The upper and lower frames are mounted on one of the sides of the locker.

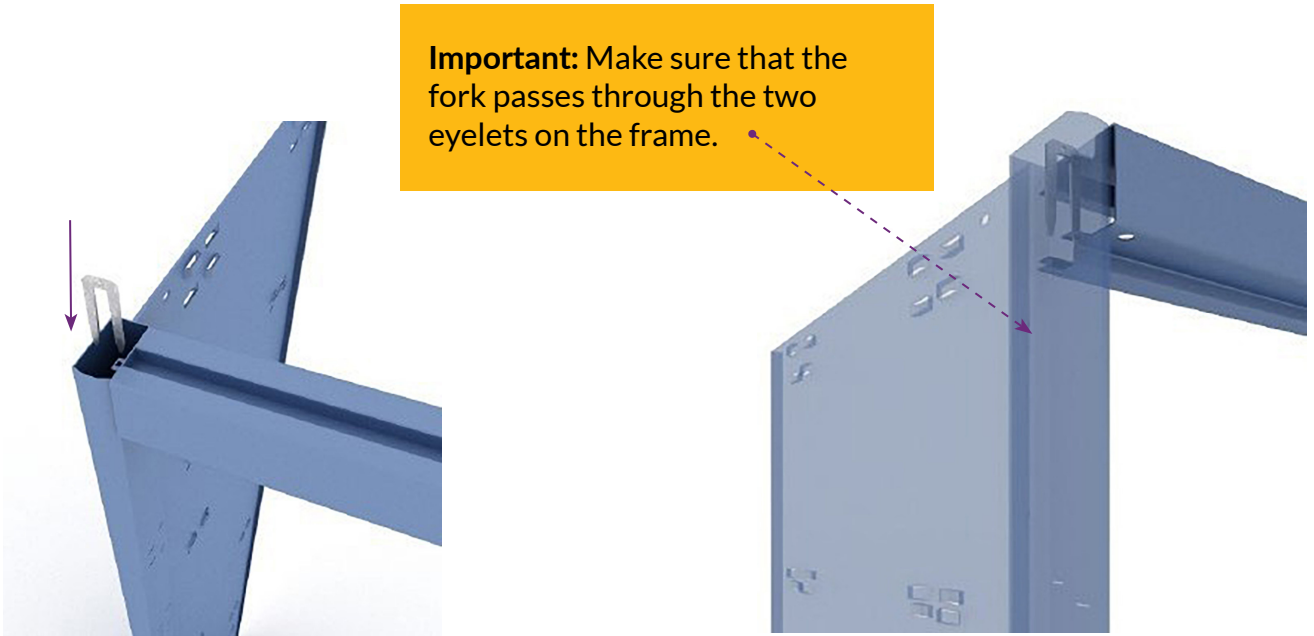


**Important:** Slightly compress the frame to match the pins on the frame with the slots on the side.

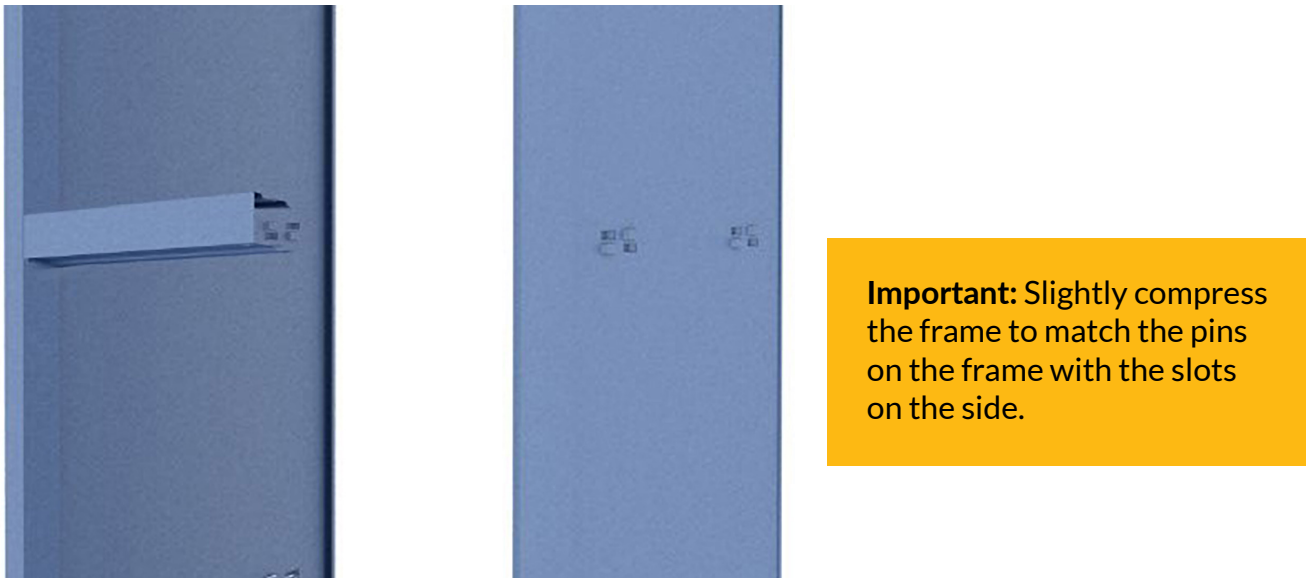


# ASSEMBLY PROCESS

- 3 The Side of the initial locker and the upper and lower frames Are joined by inserting the Forks. It is recommended to use the rubber hammer (with caution to maintain the integrity of the components).



- 4 The intermediate frame Is inserted Halfway up the locker.



# ASSEMBLY PROCESS

**5** The outer Side Is fitted with the upper and lower frames, and the fixing Forks Are inserted.

Insert, initially manually, to later apply small blows with the rubber hammer, to ensure that the pieces have a complete and adequate fit.



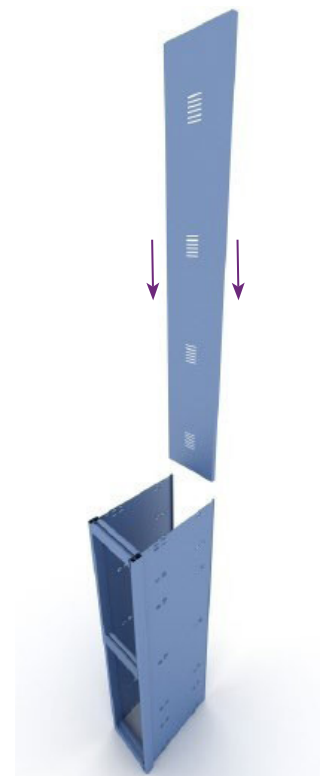
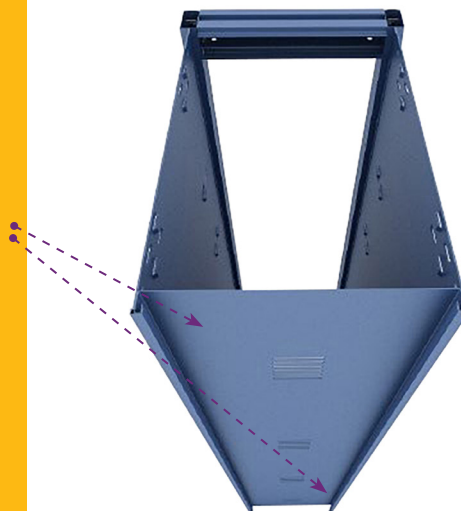
**6** The back of the locker Is fitted, achieving to stable structure.

The rear must stay Assembled between the sides Outers.

To ensure the position of the rear, we must include two box office staples.

There are two options:

- 1) Position them both At the top.
- 2) Position one staple at one end of the top and the other at the opposite end of the bottom .



# ASSEMBLY PROCESS

- 7 The bottom shelf is then placed .



The shelf must be inserted turned and carried to the end of the locker, so that the eyelashes fit correctly on the inner sides.

- 8 Once the bolts are inserted, the top shelf will be placed and then safety staples are inserted into the upper and lower shelves.

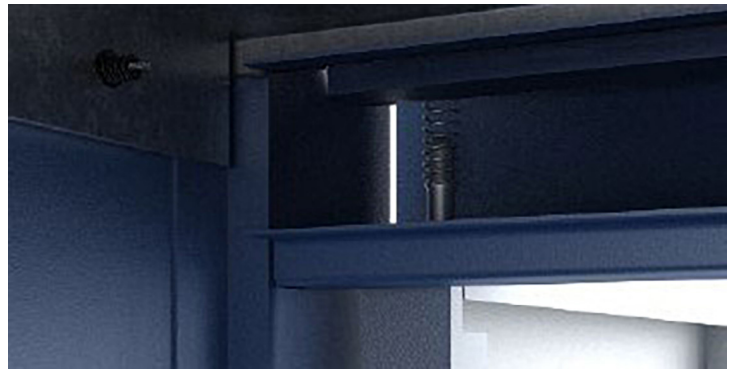


Ensure the Bolt is introduced to the frame inferior.



# ASSEMBLY PROCESS

- 9 To place the doors, the lower door must first be inserted over the bottom pin and then push the top pin of the middle part to power enter it in the hole of the door.



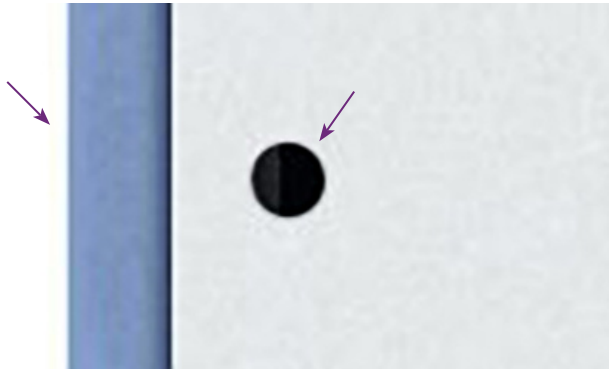
To place the upper door, we repeat the process, depositing it on the intermediate pin and pushing the upper one to introduce it into the corresponding hole.



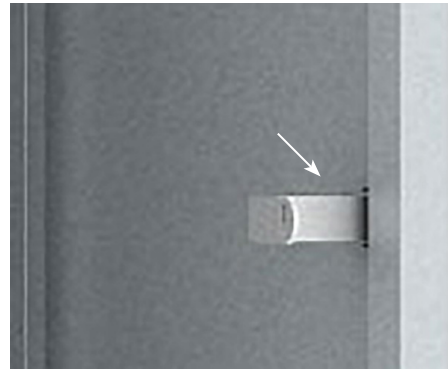
# ASSEMBLY PROCESS

## 10 Lock assembly.

The lock is inserted into the hole of the door, with the body of the lock in the direction of the side closest to said hole.



To fix the lock in position, insert the fork from the back.

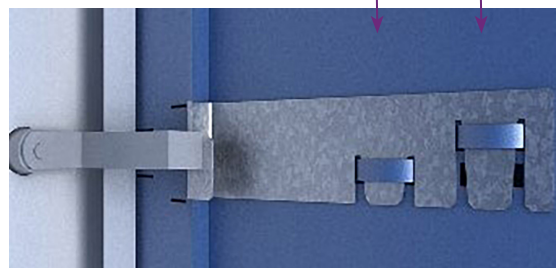


## 11 Once the assembly of the locker is finished, the left and right stops will be placed, which give the lockers greater resistance and security.



The left stop is placed on the drawings located on the left inner part of the locker at the height of the lock. This piece performs the function of locking when the door is closed, making the locker more secure.

The top right herself Placed in the drawings located in the inner right part of the locker at the height of the lock. This piece performs a stop function when the door is closed, giving the door a greater resistance y rigidity before one push.

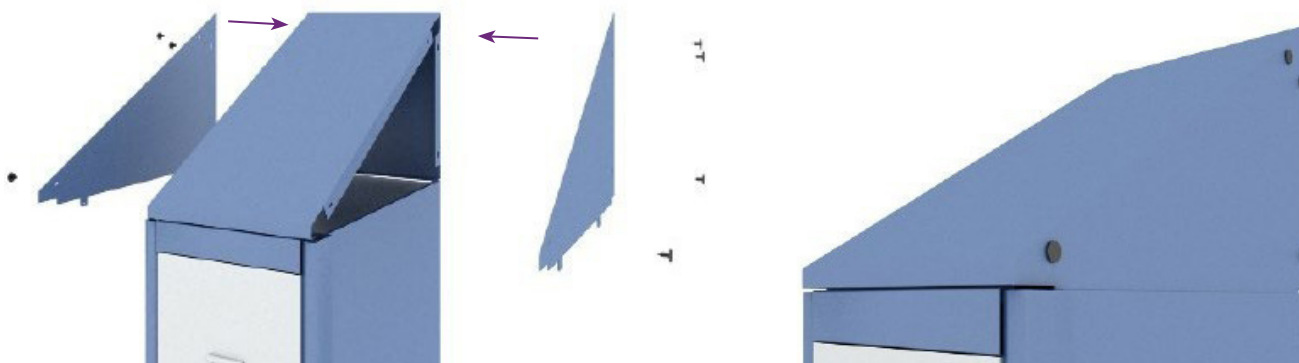




# LOCKER ACCESSORIES

## ROOFING INCLINED

- 1 Herself Folded manually the overhead y herself Fits in the part superior of the booking office.



- 2 By means of Staples a pressure Place the Triangles in the lateral of the overhead.





# LOCKER ACCESSORIES

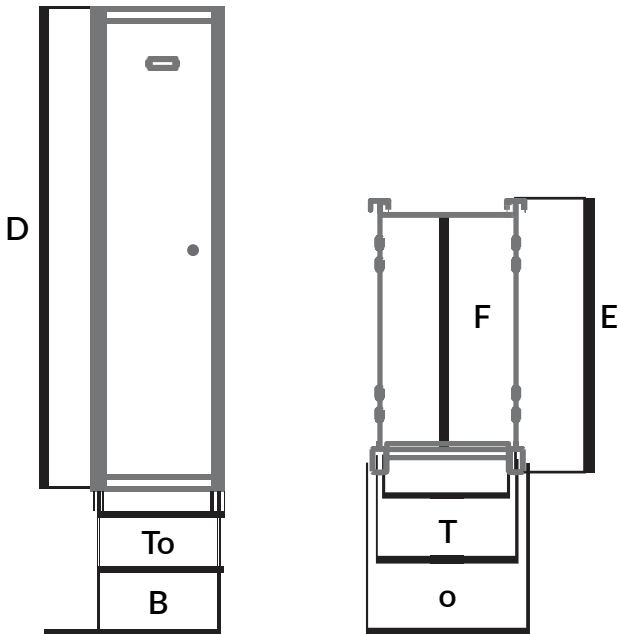
## ROOFING INCLINED

- 1 Insert the Outgoing of the foot detaquilla in the Recesses Located in the part inferior of the lateral of booking office.
- 2 One time Installed we will double the Outgoing with the help of a screwdriver to fix its position.
- 3 Up the group of Lockers.



# SHELF MEASUREMENTS

## BOOKING OFFICE INITIAL - MEASUREMENT TOTAL Y PARTIAL



A Locker Width

B Useful Width

C Real width

D Total height

A Total

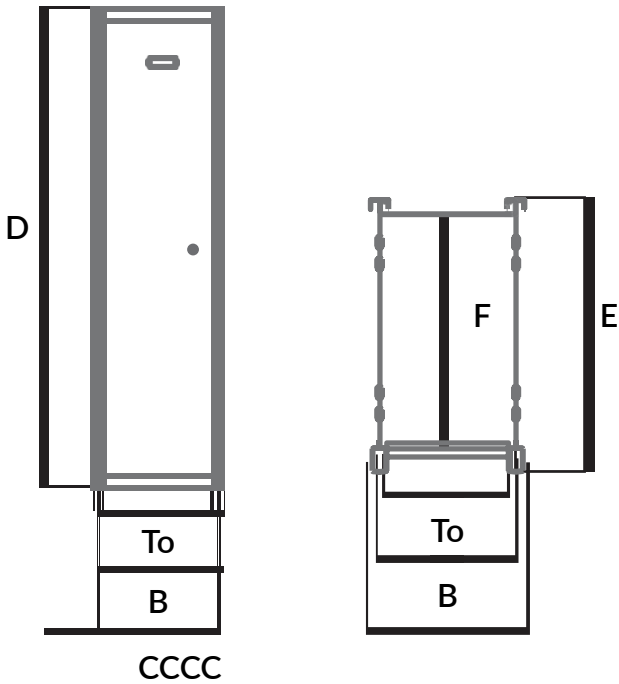
n Bottom

d Useful

(A) BOX OFFICE WIDTH	250	300	400
(B) USEFUL WIDTH	251	301	401
(C) REAL WIDTH	286	336	436
(D) HEIGHT	1800	1800	1800
(E) BOTTOM	504	504	504
(F) USEFUL BACKGROUND	435	435	435

# SHELF MEASUREMENTS

## BOOKING OFFICE EXTENSION - MEASUREMENT TOTAL Y PARTIAL



A	Locker Width
B	Useful Width
C	Real width
D	Total height
A	Total
n	Bottom
d	Useful

(A) BOX OFFICE WIDTH	250	300	400
(B) USEFUL WIDTH	251	301	401
(C) REAL WIDTH	268	318	418
(D) HEIGHT	1800	1800	1800
(E) BOTTOM	504	504	504
(F) USEFUL BACKGROUND	435	435	435

**RackZone.ie**

**Rack Zone**

Poolboy, Ballinasloe, Co. Galway, H53 RD23, Ireland

P 090 9673261 | E [info@rackzone.ie](mailto:info@rackzone.ie)

[www.RackZone.ie](http://www.RackZone.ie)